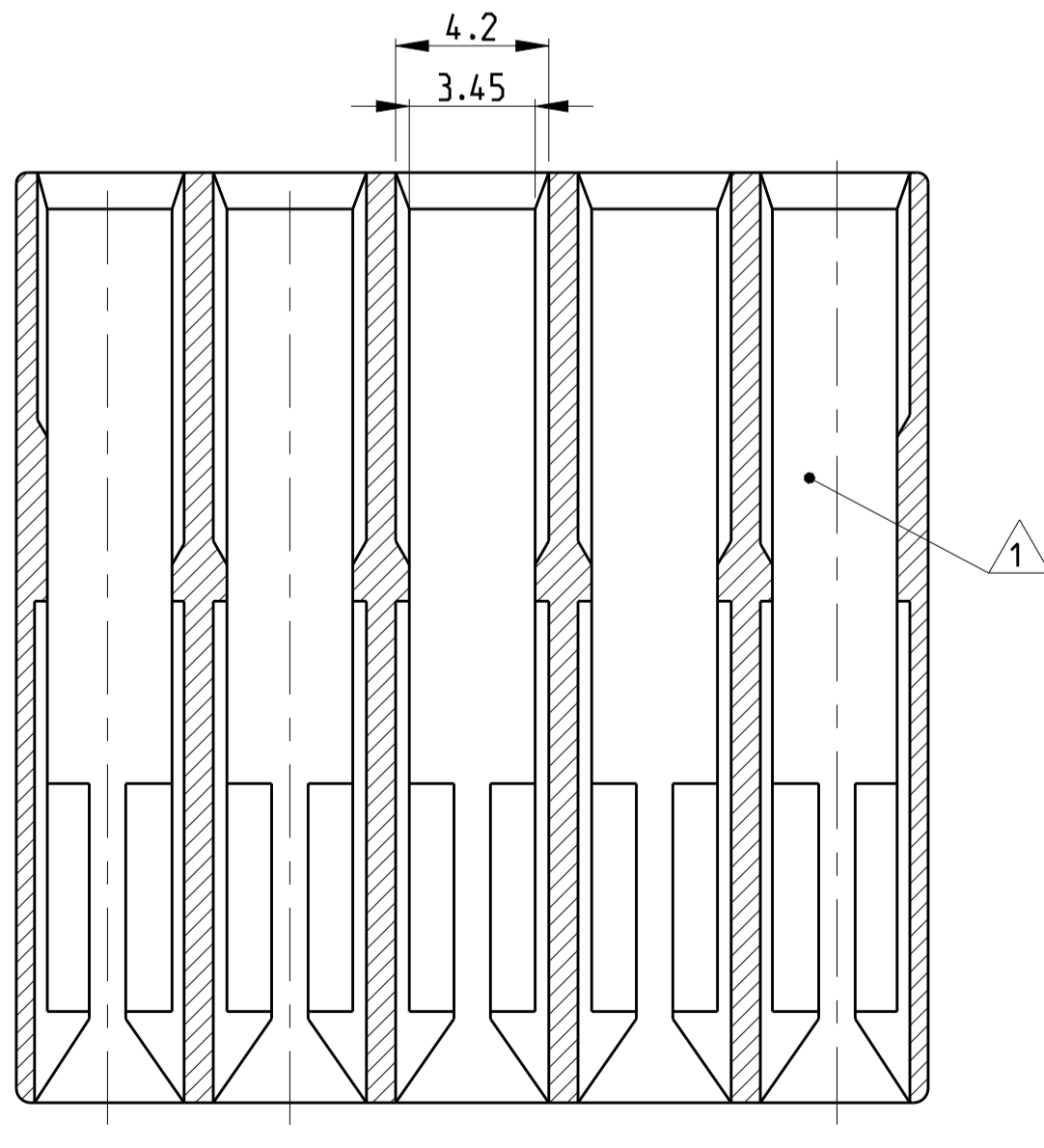
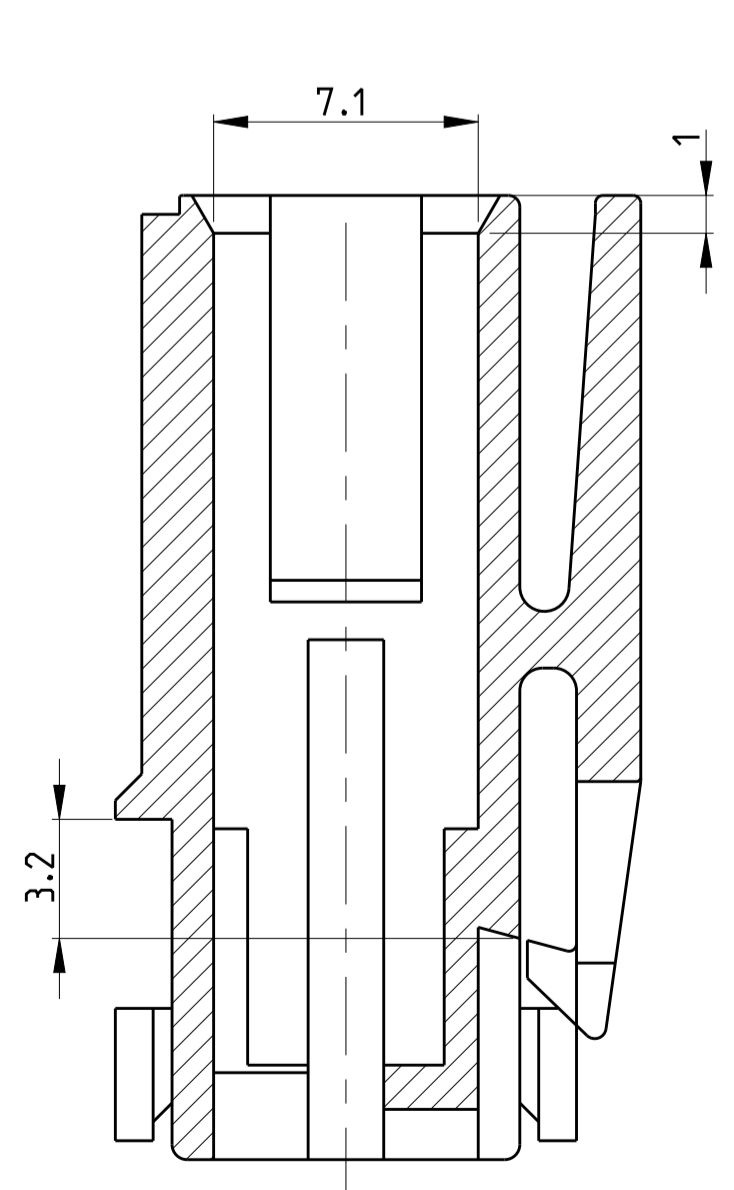
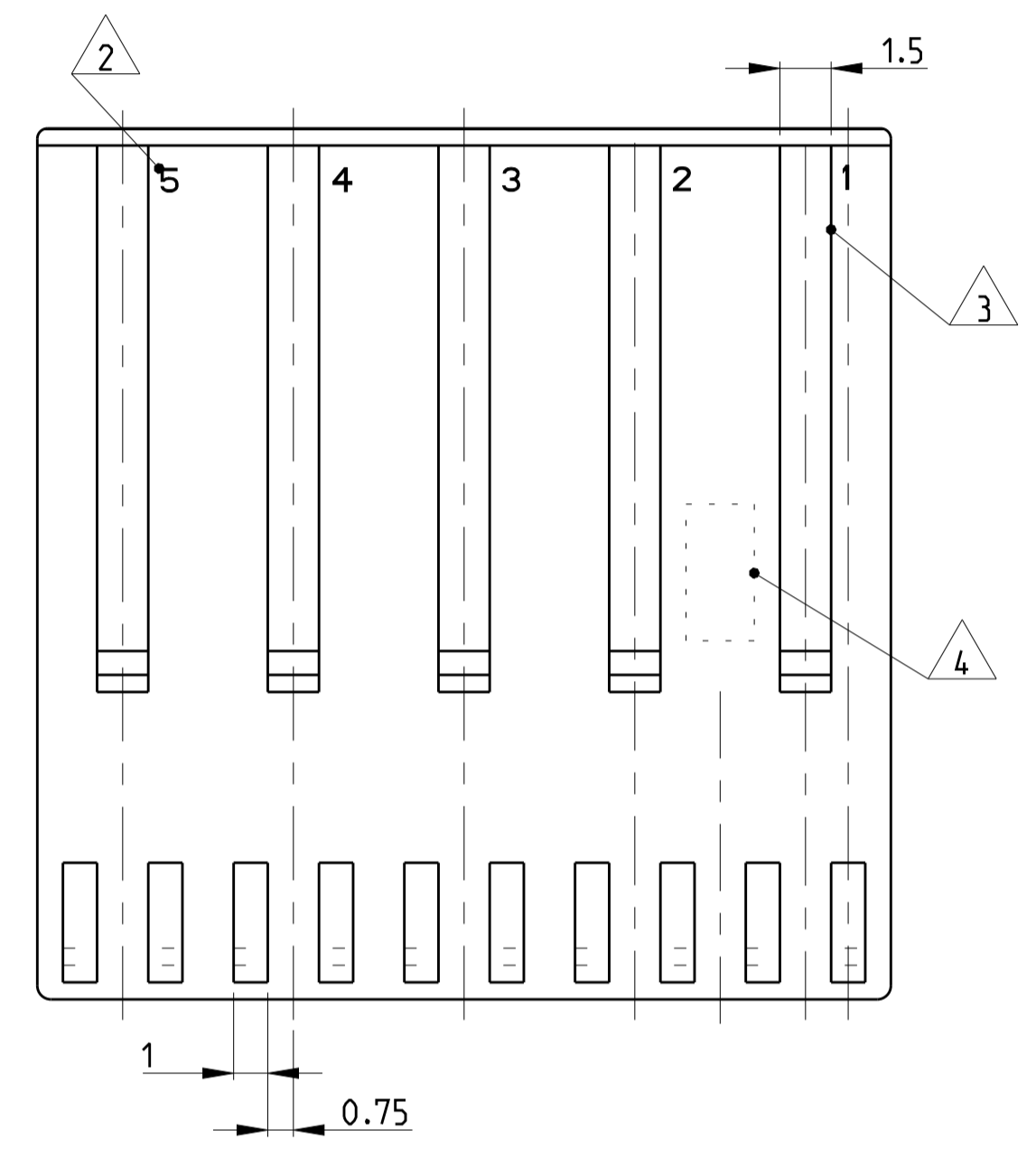
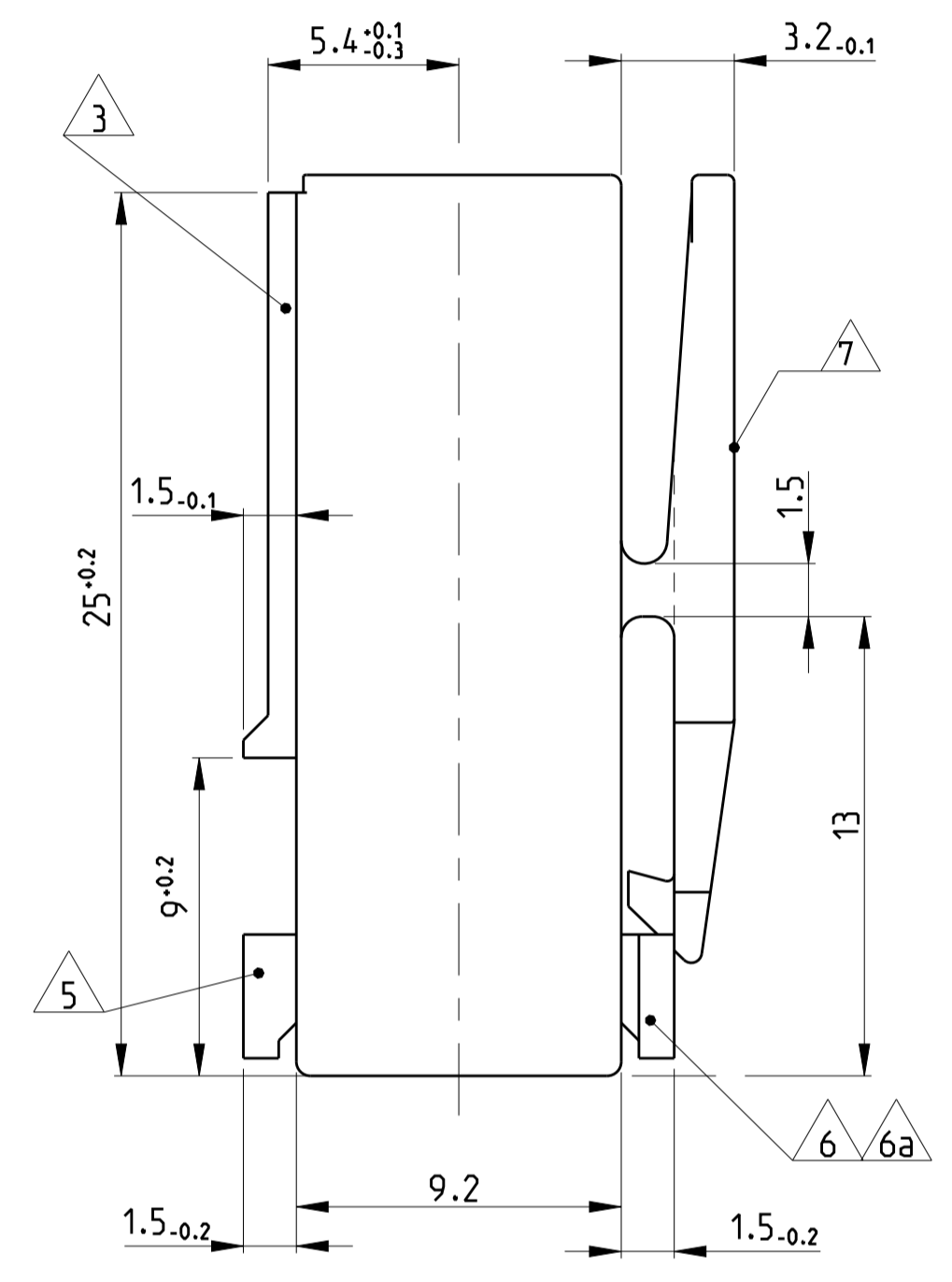
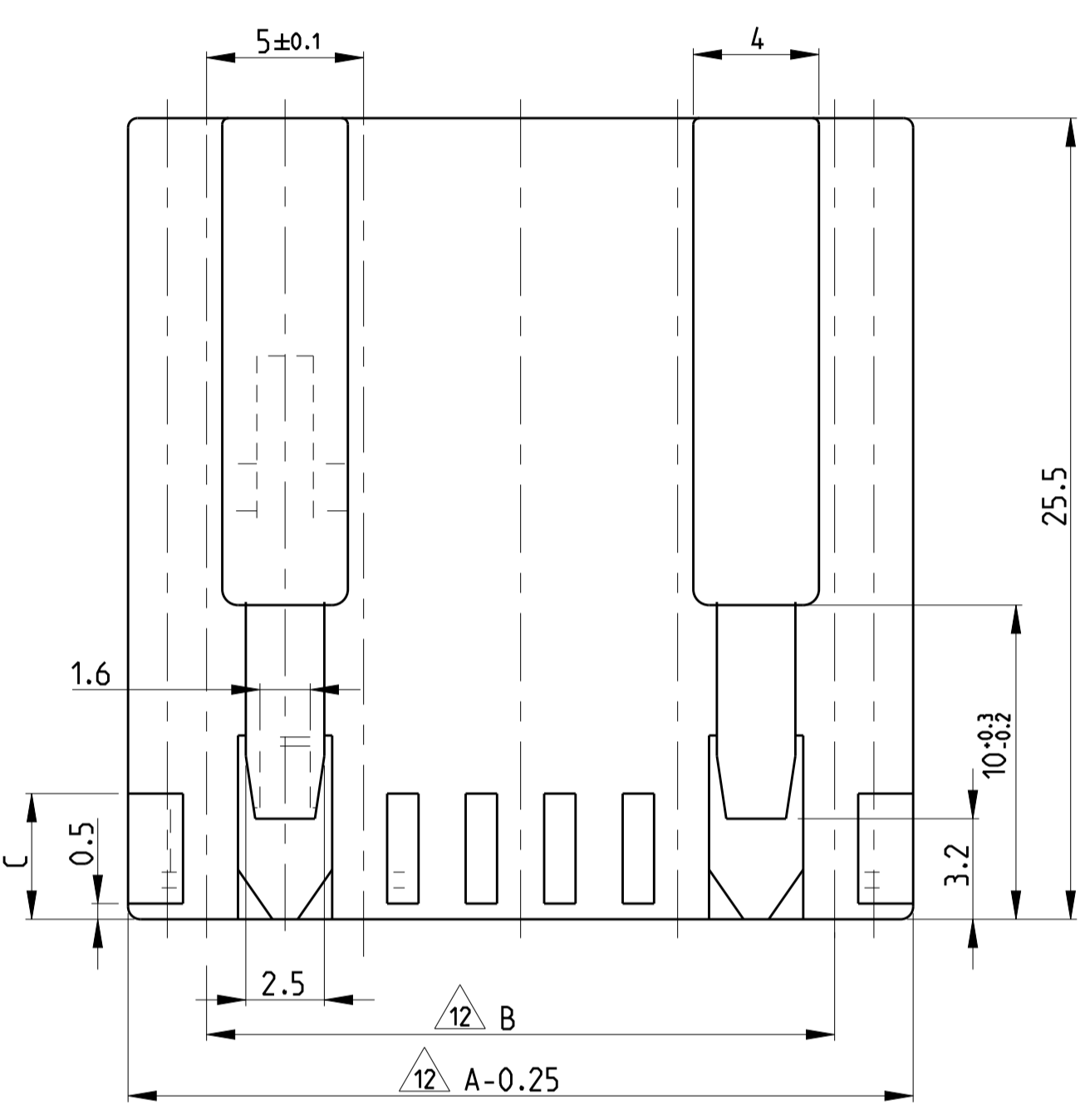
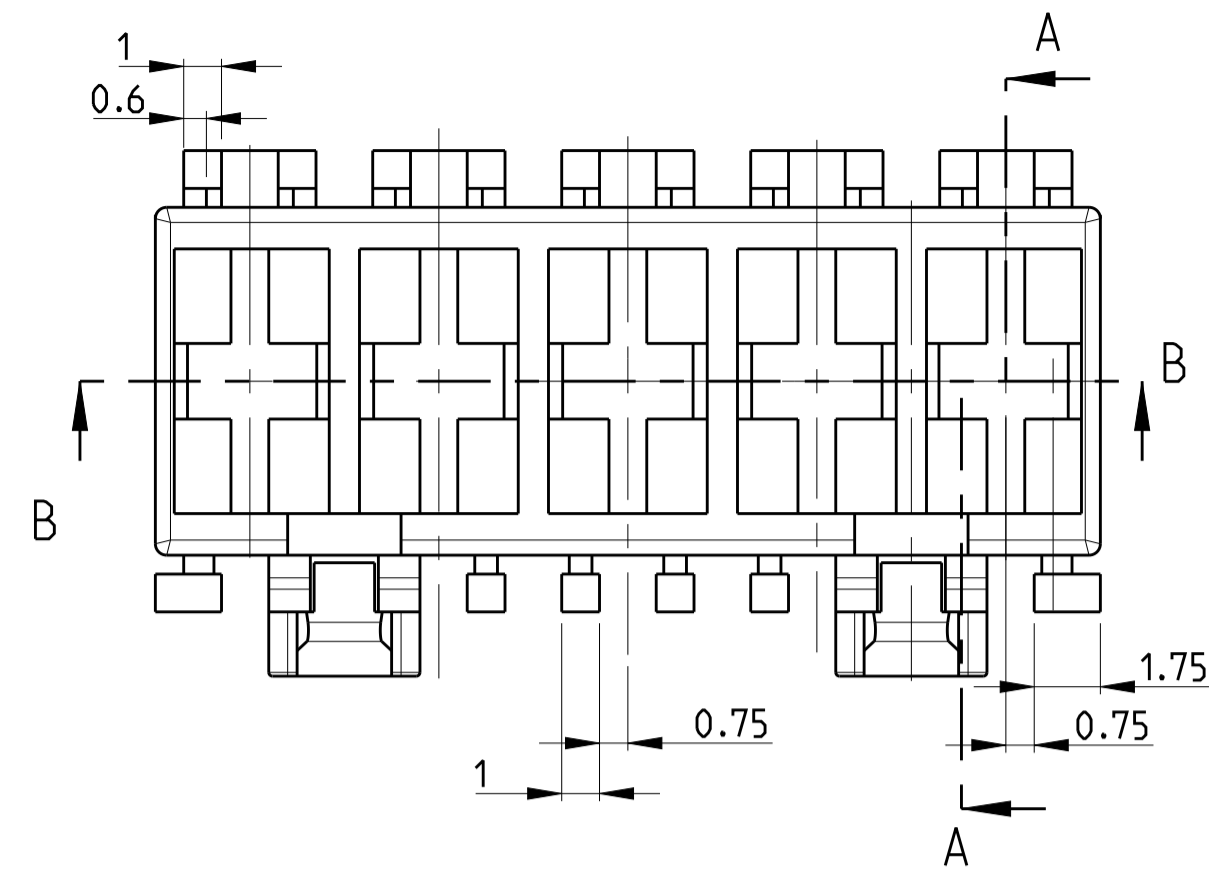


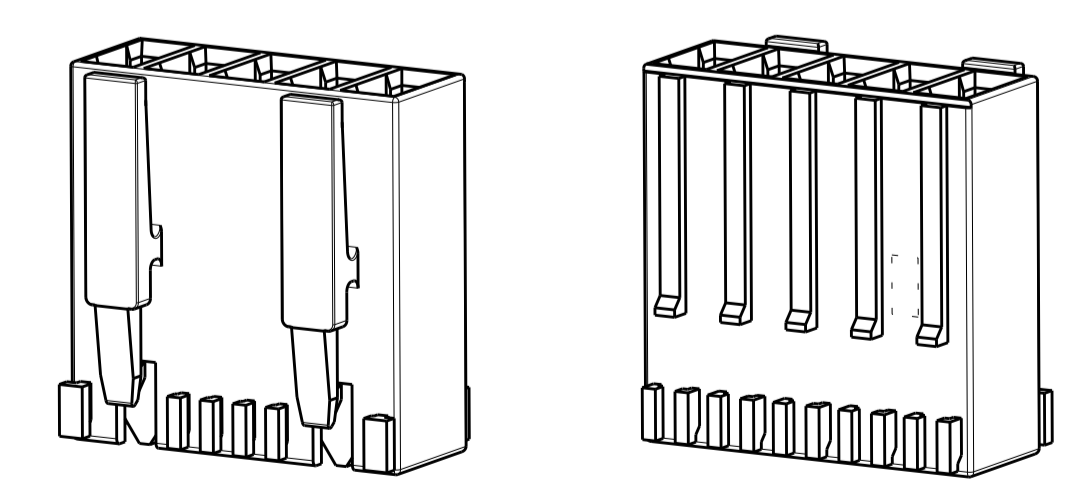
LOC	DIST	REV	DATE	BY	CHK	APVD
A1	-	-	-	-	-	-
C25	REVIS	PER ECR-15-010828	28 JUL 2015	NK	FL	
C26	ECR-15-011321		30 JUL 2015	KD	RR	
C27	ECR-15-013489		14 SEP 2015	KD	RR	
C28	ECR-15-015988		30 OCT 2015	FL	RR	



REMARKS/Bemerkungen

- 1 CAVITY SUITABLE FOR STANDARD TIMER CONTACTS LISTED IN PROD.SPEC. 108-18049, ITEM 3.3.2
Kammer geeignet für Standard Timer Kontakte gelistet in Prod. Spec. 108-18049, Punkt 3.3.2
- 2 CONTACT CAVITY NO.
Kontaktkammernummerierung
- 3 MATING STOP
Tiefenanschlag
- 4 AREA FOR TE LOGO ACC: TO SPEC 202-36
Bereich für TE Logo nach Spec. 202-36
- 5 POLARIZATION RIB POSITION "a" AND/OR "b"
Polarisierungsrippe Position "a" und/oder "b"
- 6 KEYING RIB POSITION "c" AND/OR "d"
Kodierrippe Position "c" und/oder "d"
- 6a KEYING RIB POSITION "c" AND/OR "d" AT THE END WALLS OF THE HOUSING
Kodierrippe Position "c" und/oder "d" an den Gehäusestirnseiten
- 7 LOCKING LATCH
Rasthaken
- 8 TE PART NO (PN)
TE Bestell Nr. (PN)
- 9 DESIGN OF THE HOUSINGS ACC: TO RAST 5 STANDARD
Gehäuseausführung gemäss RAST 5 Vorgabe
- 10 GENERAL SUITABLE TAB HEADER SEE RAST 5 PERFORMANCE
Generell passende Flachsteckerwannen siehe RAST 5 Vorgabe
- 11 PACKAGING: BULK PACKAGING IN CORRUGATED BOX PN 740580-2
2 POS, 2500 PIECES PER BOX / 3 POS, 2000 PIECES PER BOX
Verpackung: Schüttgut in Versandkarton Pn 740580-2
2pol. 2500 Stück per Karton / 3pol. 2000 Stück per Karton
- 12 DIMENSION A, B AND C SEE SHEET 2 OF 3
- 13 MATERIAL CORRESPONDS TO THE REQUIREMENT EN 60335
(INCL. GLOW WIRE TEST 750° WITHOUT FLAME)
Material entspricht den Anforderungen der EN 60335
(inkl. Glühdrahttest 750° ohne Flamme)
- 14 RATIO NUMBER OF THE KEYING VERSION, INKJET PRINTED. SEE SHEET 2
Kodierungskennnummer, mit Tintenstrahldrucker aufgebracht, siehe Blatt 2
- 15 PRELIMINARY- NOT RELEASED FOR PRODUCTION

5 POSITION
STD. TIMER MARK-II HOUSING



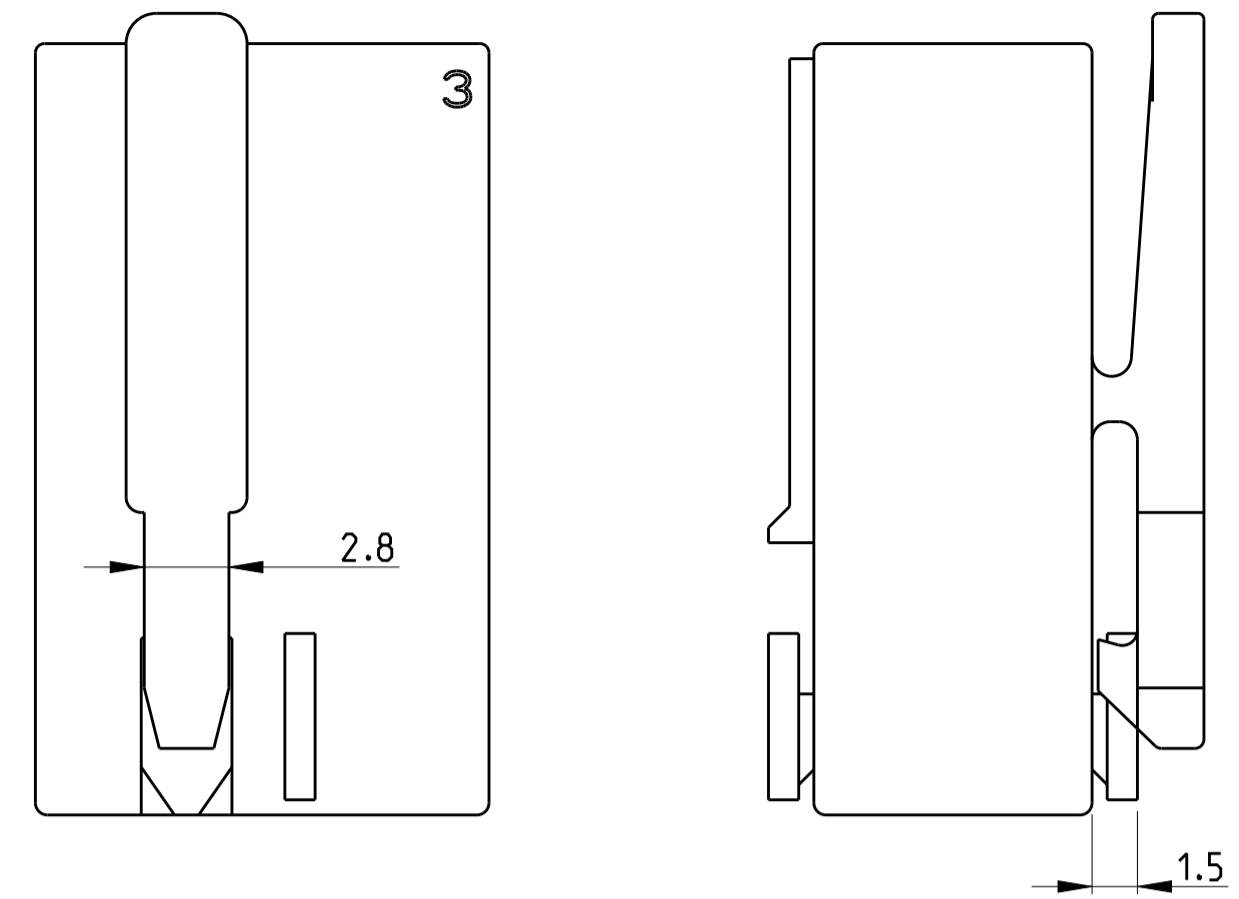
SCALE 2:1

SECTION A-A / Schnitt A-A

SECTION B-B / Schnitt B-B

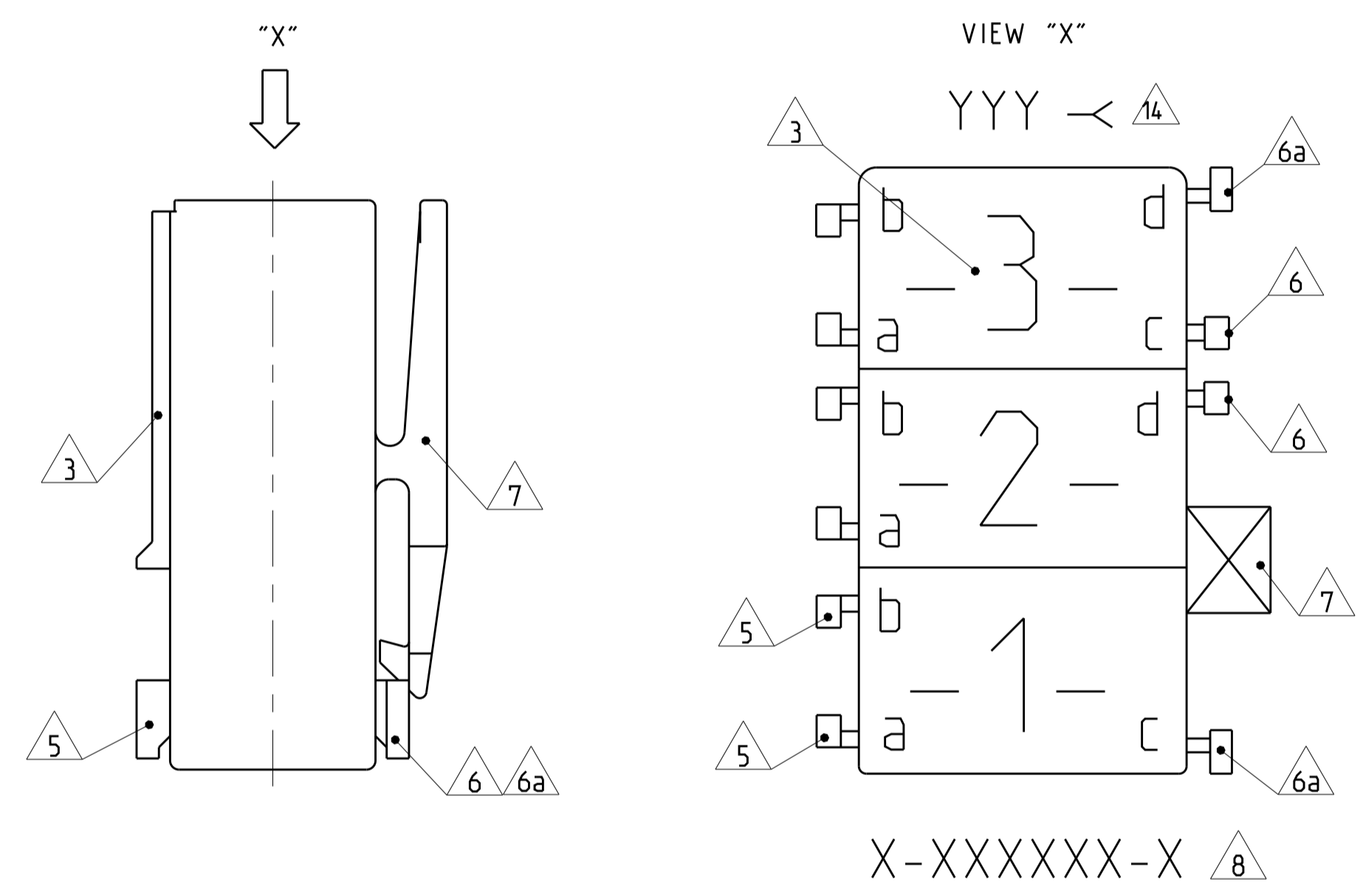
THIS DRAWING IS A CONTROLLED DOCUMENT.		DRW: Kishor M 18-10-07	TE Connectivity
DIMENSIONS: mm		CHK: K. Murtz 18-10-07	
TOLERANCES UNLESS OTHERWISE SPECIFIED:		APVD: Tm Klenner 18-10-07	NAME: STANDARD TIMER HSG. RAST 5 MARK II
0 PLC ±0.2	1 PLC ±0.2	PRODUCT SPEC	Standard Timer Gehäuse RAST 5 Mark II
2 PLC ±0.2	3 PLC ±0.2	APPLICATION SPEC	
4 PLC ±0.2	5 PLC ±0.2		
ANGLES: *	FINISH: *	SIZE: A1	CAGE CODE: 00779
MATERIAL: SEE TABLE SHEET 2 OF 3		WEIGHT: -	DRAWING NO: 1241961
		Customer Drawing	SCALE: 5:1 SHEET 1 OF 3 REV: C28

ONLY 5-1241961-7, 1-1241961-9, 7-1241961-7



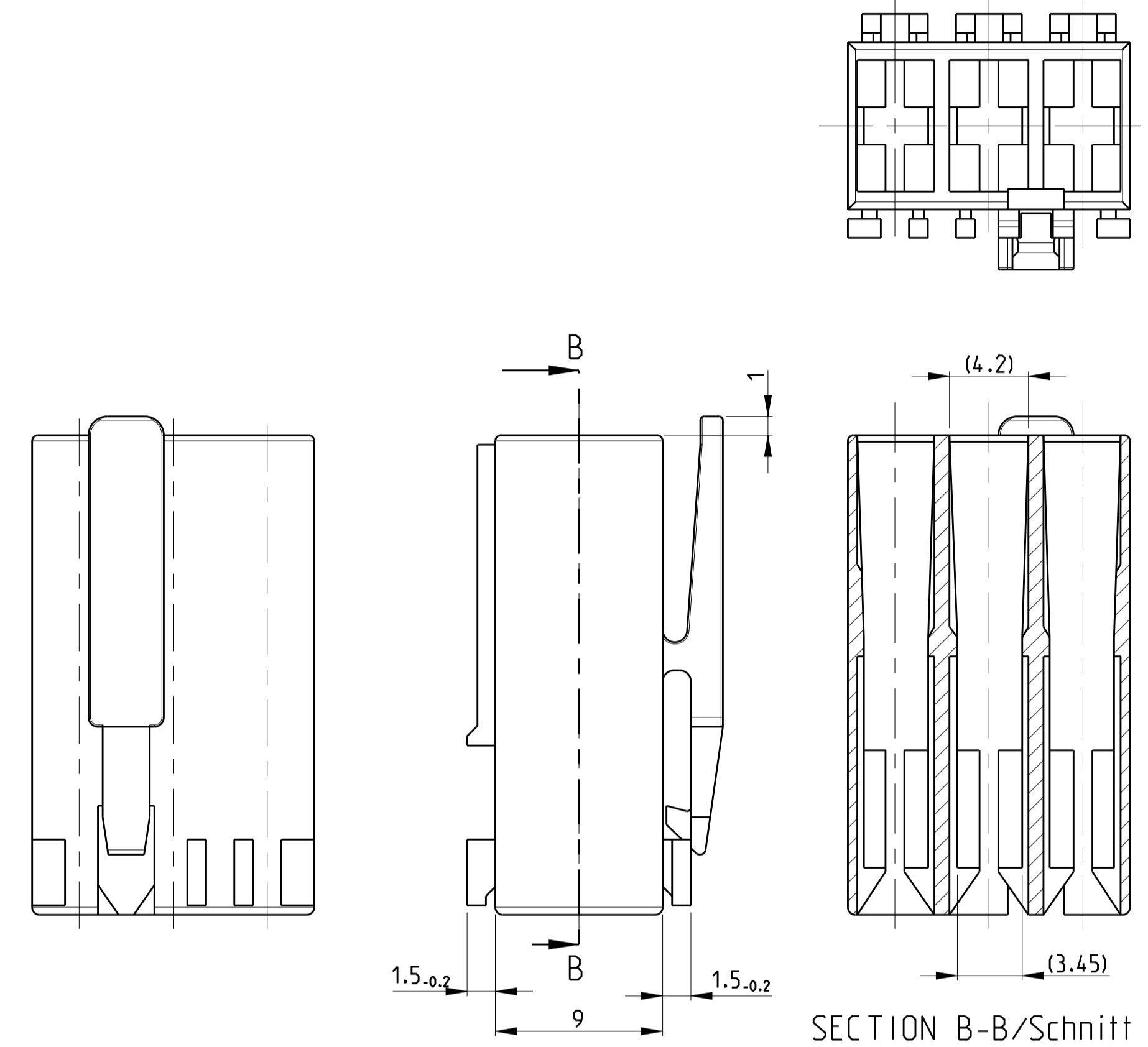
ALL OTHER DIMENSIONS SEE SHEET 1 OF 3

KEY LAYOUT DESCRIPTION



PAY ATTENTION ! DIFFERENT CAVITY GEOMETRY AND LOCKING LATCH OVERHANG Bitte beachten ! Unterschiedliche Kammergeometrie und Rasthakenuberstand.

FOR 2 POS. AND 3 POS.



ALL OTHER DIMENSIONS SEE SHEET 1 OF 3 Alle anderen Masse siehe Seite 1 von 3

SPECIAL MATERIAL		1955507-4	4	20	15	PA66	NATURAL	1	
PRELIMINARY	PRELIMINARY	9-1955506-2	2	6	10	5	UL 94 V0	NATURAL	1

PART NO	POS	DIMENSION C	DIM A	DIMM B	MATERIAL	COLOUR /Farbe	REV./Rev.
6-1241961-7	3	15	10	10	PA 6 UL94V-2	NATURAL	1
4-1241961-7	3	15	10	10	PA 6 UL94V-2	NATURAL	A
3-1241961-7	3	15	10	10	PA 6 UL94V-2	NATURAL	A
1-1955422-7	3	15	10	10	PA 66 UNFILLED UL94 V0	NATURAL	A
5-1955422-7	3	15	10	10	PA 66 UNFILLED UL94 V0	NATURAL	A
4-1955422-3	2	10	5	5	PA 66 UNFILLED UL94 V0	NATURAL	A
2-1241817-3	3	4 or 6	15	10	PA 66 UL94 V-2	Green	E
0-1955422-6	3	15	10	10	PA 66 UNFILLED UL94 V0	NATURAL	A
8-1241961-8	3	15	10	10	PA 6 UL94V-2	NATURAL	C
0-1241961-8	3	15	10	10	PA 6 UL94V-2	natural	A
8-1241961-3	2	10	5	5	PA 6 UL94V-2	NATURAL	C
3-1241961-1	2	10	5	5	PA 6 UL94V-2	NATURAL	C
0-1955422-1	2	10	5	5	PA 66 UNFILLED UL94 V0	NATURAL	A

PART NO	POS	DIMENSION C	DIM A/Mass A	DIM B/Mass B	MATERIAL /Material	COLOUR /Farbe	REV./Rev.
0-1241959-5	5	25	20	20	PA 6 UL94V-2	Natural/natur	B
4-1241959-4	4	20	15	15	PA 6 UL94V-2	Natural/natur	A
2-1241959-4	4	20	15	15	PA 6 UL94V-2	Natural/natur	B
0-1241959-4	4	20	15	15	PA 6 UL94V-2	Natural/natur	B
2-1241817-5	5	25	20	20	PA 6.6 UL94V-2	Natural/natur	C
0-1241817-5	5	25	20	20	PA 6.6 UL94V-2	Black/schwarz	C
3-1241817-4	4	20	15	15	PA 6.6 UL94V-2	Violet/violett	C
2-1241817-4	4	20	15	15	PA 6.6 UL94V-2	Grey/grau	C
0-1241817-4	4	20	15	15	PA 6.6 UL94V-2	Natural/natur	C
2-1241983-2	2	10	5	5	PA 6 UL94V-2	Green/grün	C
1-1241983-2	2	10	5	5	PA 6 UL94V-2	Violet/violett	C
0-1241983-2	2	10	5	5	PA 6 UL94V-2	TARGET RAL 4001	C
8-1241983-2	2	10	5	5	PA 6 UL94V-2	Yellow/gelb	C
5-1241983-3	2	10	5	5	PA 6 UL94V-2	Black/schwarz	C
6-1241983-2	2	10	5	5	PA 6 UL94V-2	Blue/blau	C
9-1241961-8	3	15	10	10	PA 6 UL94V-2	Natural/natur	C
6-1241961-8	3	15	10	10	PA 6 UL94V-2	Natural/natur	C
5-1241961-8	3	15	10	10	PA 6 UL94V-2	Natural/natur	C
4-1241961-8	3	15	10	10	PA 6 UL94V-2	Natural/natur	C
7-1241961-8	3	15	10	10	PA 6 UL94V-2	Natural/natur	C
1-1241961-8	3	15	10	10	PA 6 UL94V-2	Natural/natur	C
3-1241961-8	3	15	10	10	PA 6 UL94V-2	Natural/natur	C
2-1241961-8	3	15	10	10	PA 6 UL94V-2	Natural/natur	C
2-1241961-7	3	15	10	10	PA 6 UL94V-2	Natural/natur	C
1-1241961-7	3	15	10	10	PA 6 UL94V-2	Natural/natur	C
9-1241961-9	3	15	10	10	PA 6 UL94V-2	Natural/natur	C
0-1241961-6	3	15	10	10	PA 6 UL94V-2	Natural/natur	C
3-1241961-3	3	10	5	5	PA 6 UL94V-2	Natural/natur	C
2-1241961-2	3	10	5	5	PA 6 UL94V-2	Natural/natur	C
5-1241961-2	3	10	5	5	PA 6 UL94V-2	Natural/natur	C
4-1241961-3	3	10	5	5	PA 6 UL94V-2	Natural/natur	C
7-1241961-2	3	10	5	5	PA 6 UL94V-2	Natural/natur	C
7-1241961-3	3	10	5	5	PA 6 UL94V-2	Natural/natur	C
6-1241961-3	3	10	5	5	PA 6 UL94V-2	Natural/natur	C
3-1241961-2	3	10	5	5	PA 6 UL94V-2	Natural/natur	C
5-1241961-3	3	10	5	5	PA 6 UL94V-2	Natural/natur	C
6-1241961-2	3	10	5	5	PA 6 UL94V-2	Natural/natur	C
0-1241961-3	3	10	5	5	PA 6 UL94V-2	Natural/natur	C
8-1241961-2	3	10	5	5	PA 6 UL94V-2	Natural/natur	C
9-1241961-2	3	10	5	5	PA 6 UL94V-2	Natural/natur	C
0-1241961-1	3	10	5	5	PA 6 UL94V-2	Natural/natur	C
9-969484-9	3	15	10	10	PA 6.6 UL94V-2	Yellow/gelb	H
2-969484-8	3	15	10	10	PA 6.6 UL94V-2	Yellow/gelb	H
4-969484-8	3	15	10	10	PA 6.6 UL94V-2	Yellow/gelb	H
0-969484-8	3	15	10	10	PA 6.6 UL94V-2	Yellow/gelb	H
9-969484-7	3	15	10	10	PA 6.6 UL94V-2	Yellow/gelb	H
8-969484-7	3	15	10	10	PA 6.6 UL94V-2	Yellow/gelb	H
7-969484-7	3	15	10	10	PA 6.6 UL94V-2	Yellow/gelb	H
6-969484-7	3	15	10	10	PA 6.6 UL94V-2	Yellow/gelb	H
5-969484-7	3	15	10	10	PA 6.6 UL94V-2	Yellow/gelb	H
4-969484-7	3	15	10	10	PA 6.6 UL94V-2	Yellow/gelb	H
3-969484-7	3	15	10	10	PA 6.6 UL94V-2	Yellow/gelb	H
2-969484-7	3	15	10	10	PA 6.6 UL94V-2	Yellow/gelb	H
1-969484-7	3	15	10	10	PA 6.6 UL94V-2	Yellow/gelb	H
0-969484-7	3	15	10	10	PA 6.6 UL94V-2	Yellow/gelb	H
9-969484-6	3	15	10	10	PA 6.6 UL94V-2	Yellow/gelb	H
8-969484-6	3	15	10	10	PA 6.6 UL94V-2	Yellow/gelb	H
7-969484-6	3	15	10	10	PA 6.6 UL94V-2	Yellow/gelb	H
6-969484-6	3	15	10	10	PA 6.6 UL94V-2	Yellow/gelb	H
5-969484-6	3	15	10	10	PA 6.6 UL94V-2	Yellow/gelb	H
4-969484-6	3	15	10	10	PA 6.6 UL94V-2	Yellow/gelb	H
3-969484-6	3	15	10	10	PA 6.6 UL94V-2	Yellow/gelb	H
2-969484-6	3	15	10	10	PA 6.6 UL94V-2	Yellow/gelb	H
1-969484-6	3	15	10	10	PA 6.6 UL94V-2	Yellow/gelb	H
0-969484-6	3	15	10	10	PA 6.6 UL94V-2	Yellow/gelb	H
9-969484-3	3	10	5	5	PA 6.6 UL94V-2	Natural/natur	H
8-969484-3	3	10	5	5	PA 6.6 UL94V-2	Natural/natur	H
7-969484-3	3	10	5	5	PA 6.6 UL94V-2	Natural/natur	H
6-969484-3	3	10	5	5	PA 6.6 UL94V-2	Natural/natur	H
5-969484-3	3	10	5	5	PA 6.6 UL94V-2	Natural/natur	H
4-969484-3	3	10	5	5	PA 6.6 UL94V-2	Natural/natur	H
3-969484-3	3	10	5	5	PA 6.6 UL94V-2	Natural/natur	H
2-969484-3	3	10	5	5	PA 6.6 UL94V-2	Natural/natur	H
1-969484-3	3	10	5	5	PA 6.6 UL94V-2	Natural/natur	H
0-969484-3	3	10	5	5	PA 6.6 UL94V-2	Natural/natur	H
9-969484-2	3	10	5	5	PA 6.6 UL94V-2	Natural/natur	H
8-969484-2	3	10	5	5	PA 6.6 UL94V-2	Natural/natur	H
7-969484-2	3	10	5	5	PA 6.6 UL94V-2	Natural/natur	H
6-969484-2	3	10	5	5	PA 6.6 UL94V-2	Natural/natur	H
5-969484-2	3	10	5	5	PA 6.6 UL94V-2	Natural/natur	H
4-969484-2	3	10	5	5	PA 6.6 UL94V-2	Natural/natur	H
3-969484-2	3	10	5	5	PA 6.6 UL94V-2	Natural/natur	H
2-969484-2	3	10	5	5	PA 6.6 UL94V-2	Natural/natur	H
1-969484-2	3	10	5	5	PA 6.6 UL94V-2	Natural/natur	H
0-969484-2	3	10	5	5	PA 6.6 UL94V-2	Natural/natur	H
9-969484-1	3	10	5	5	PA 6.6 UL94V-2	Natural/natur	H
8-969484-1	3	10	5	5	PA 6.6 UL94V-2	Natural/natur	H
7-969484-1	3	10	5	5	PA 6.6 UL94V-2	Natural/natur	H
6-969484-1	3	10	5	5	PA 6.6 UL94V-2	Natural/natur	H
5-969484-1	3	10	5	5	PA 6.6 UL94V-2	Natural/natur	H
4-969484-1	3	10	5	5	PA 6.6 UL94V-2	Natural/natur	H
3-969484-1	3	10	5	5	PA 6.6 UL94V-2	Natural/natur	H
2-969484-1	3	10	5	5	PA 6.6 UL94V-2	Natural/natur	H
1-969484-1	3	10	5	5	PA 6.6 UL94V-2	Natural/natur	H
0-969484-1	3	10	5	5	PA 6.6 UL94V-2	Natural/natur	H

SPECIAL VERSION: UL94 V0 & GWT 750 NF & CTI 350							
5-1241961-7	3	15	10	10	PA66	NATURAL	A
1-1241961-9	3	15	10	10	PA66	NATURAL	A
7-1241961-7	3	15	10	10	PA66	NATURAL	1

SPECIAL VERSION: UL94 V2 & GWT 750 NF							
6-2178575-7	3	15	10	10	PA6 GF15	NATURAL	A

SPECIAL VERSION: UL94 V0 & GWT 750 NF							
3-2178412-7	3	15	10	10	PA66 UL94 V0 & GWT 750 NF	NATURAL	1
4-2178412-7	3	15	10	10	PA66 UL94 V0 & GWT 750 NF	NATURAL	1
8-2178412-2	2	10	5	5	PA66 UL94 V0 & GWT 750 NF	NATURAL	1

THIS DRAWING IS A CONTROLLED DOCUMENT. DWN: Kishor M 18-10-07, CHK: K. MURZ 18-10-07, APVD: T. Klenner 18-10-07

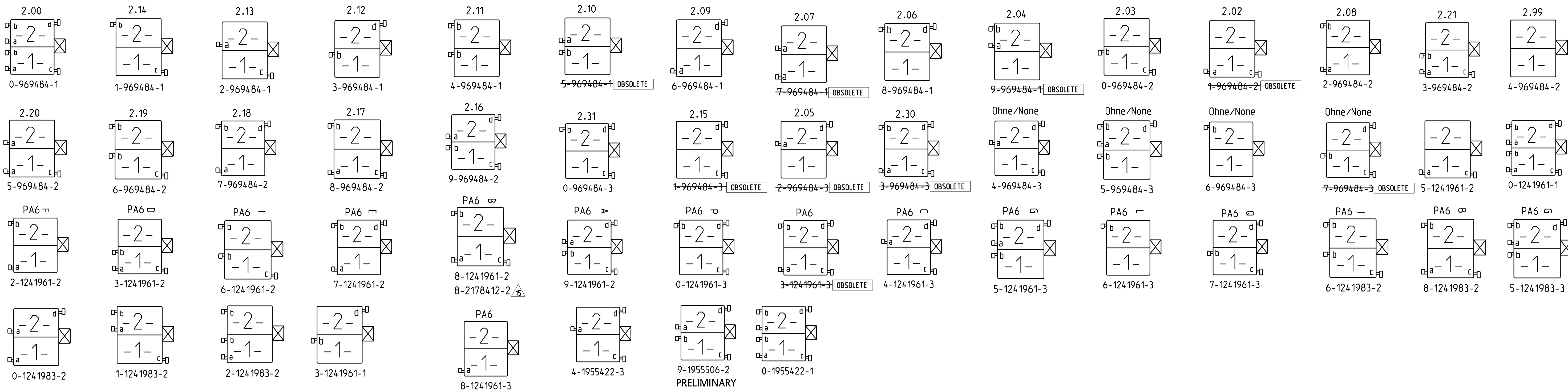
DIMENSIONS: mm. TOLERANCES UNLESS OTHERWISE SPECIFIED: 0 PLC ±0.2, 1 PLC ±0.2, 2 PLC ±0.2, 3 PLC ±, 4 PLC ±, ANGLES FINISH: *

MATERIAL: SEE TABLE SHEET 2 OF 3. WEIGHT: -. RESTRICTED TO: A1 00779 C=1241961

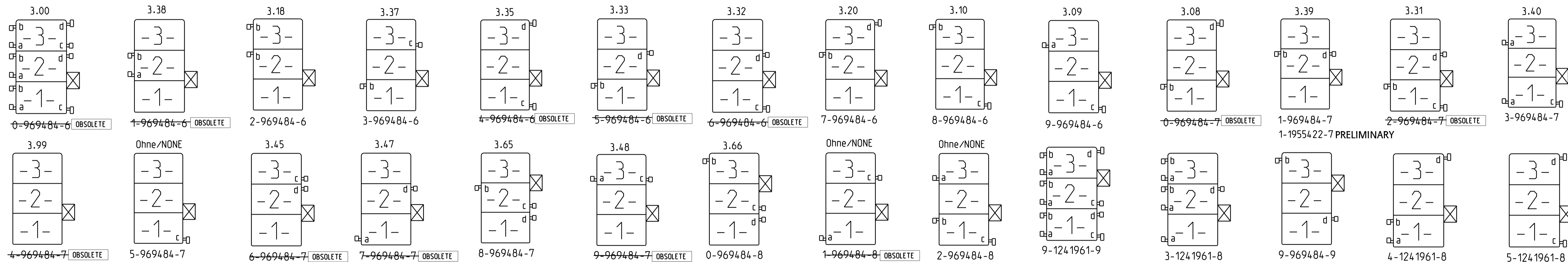
Customer Drawing. SCALE: 5:1. SHEET 2 OF 3. REV: C28

STE TE Connectivity. STANDARD TIMER HSG. RAST 5 MARK II. Standard Timer Gehäuse RAST 5 Mark II. SIZE: CAGE CODE: DRAWING NO: 108-18049. APPLICATION SPEC: -.

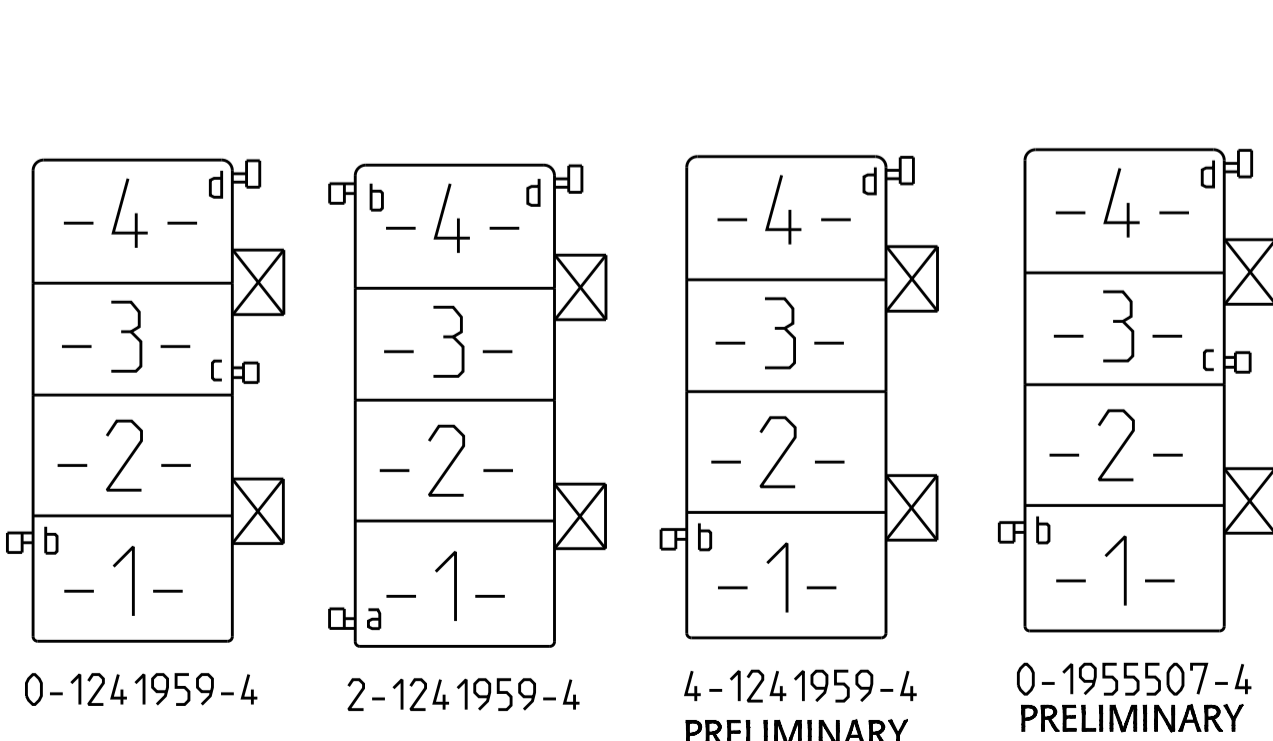
2 POSITION VARIANTS



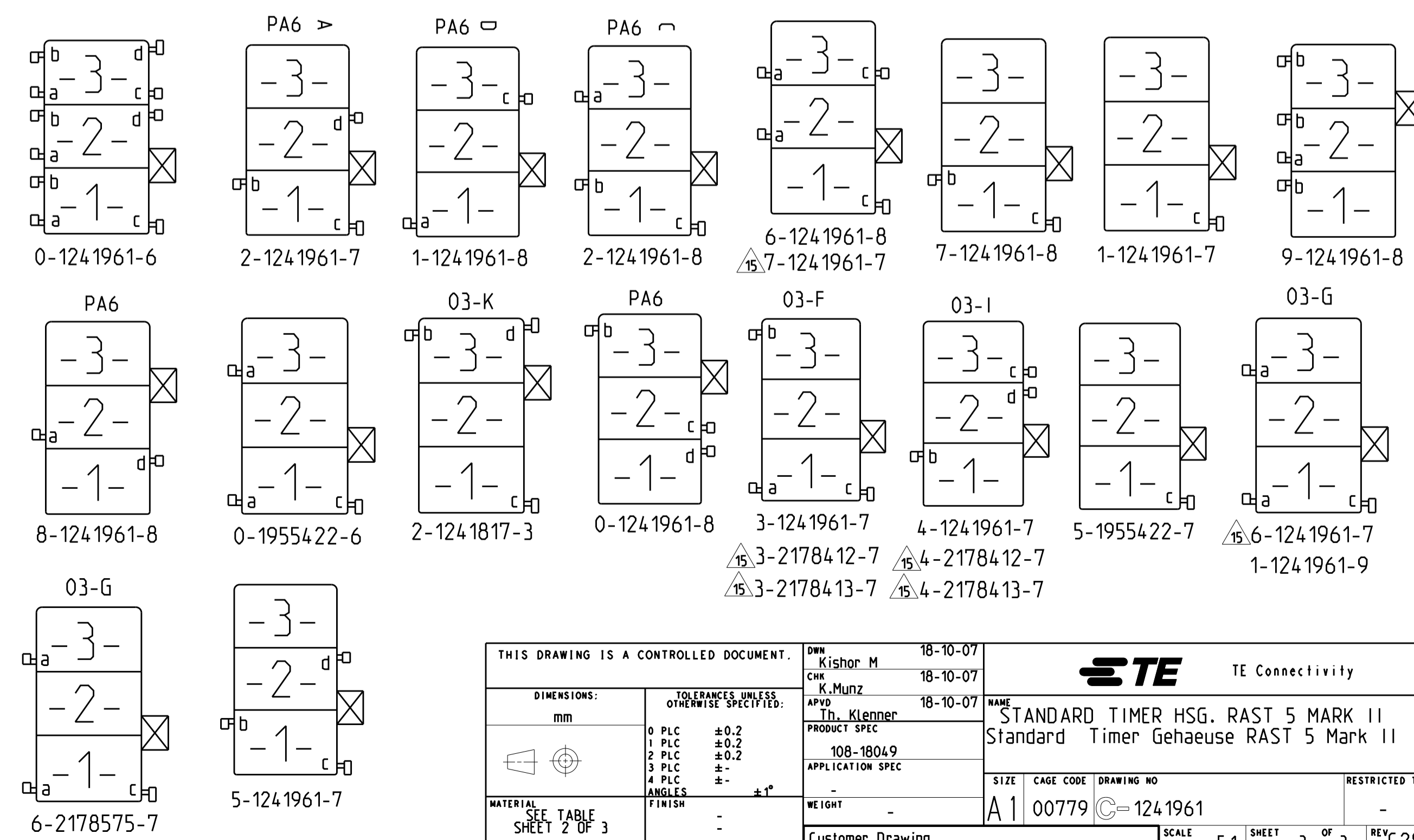
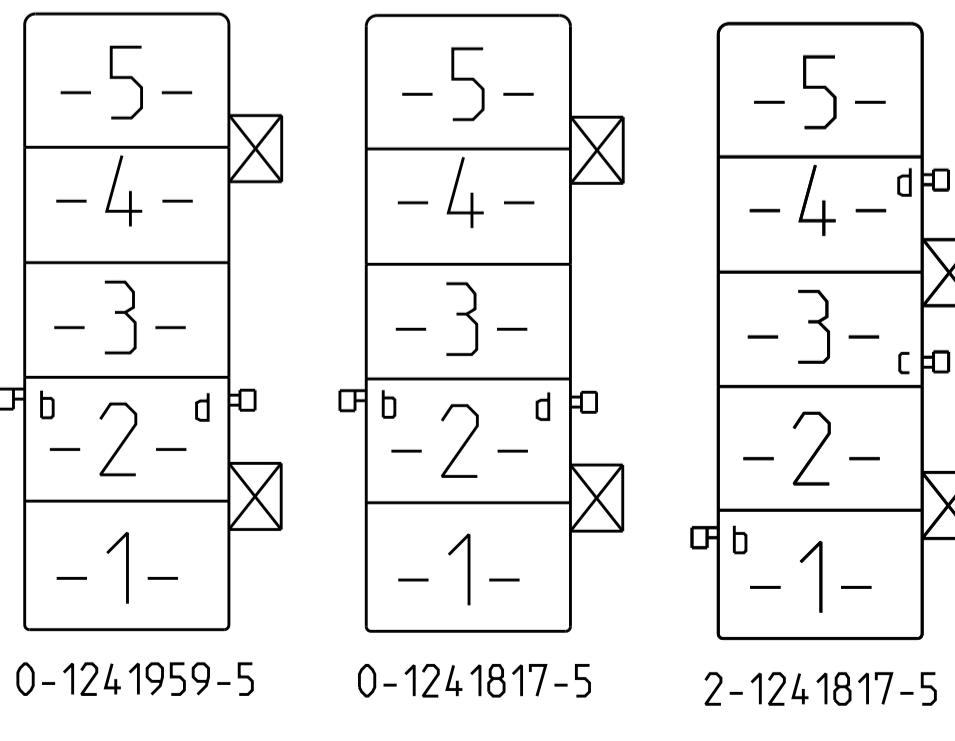
3 POSITION VARIANTS



4 POSITION VARIANTS



5 POSITION VARIANTS



THIS DRAWING IS A CONTROLLED DOCUMENT.		Dwn: Kishor M. 18-10-07	 TE Connectivity
DIMENSIONS: mm		Chk: K. Murtz 18-10-07	
TOLERANCES UNLESS OTHERWISE SPECIFIED:		APV: T. Klenner 18-10-07	NAME: STANDARD TIMER HSG. RAST 5 MARK II Standard Timer Gehäuse RAST 5 Mark II
0 PLC ±0.2		PRODUCT SPEC: 108-18049	
1 PLC ±0.2		APPLICATION SPEC: -	SIZE: A1
2 PLC ±0.2		WEIGHT: -	CAGE CODE: 00779
3 PLC ±0.2		Customer Drawing	DRAWING NO: 1241961
4 PLC ±0.2		SCALE: 5:1	SHEET: 3 OF 3
ANGLES: -		REV: C28	
FINISH: -			